

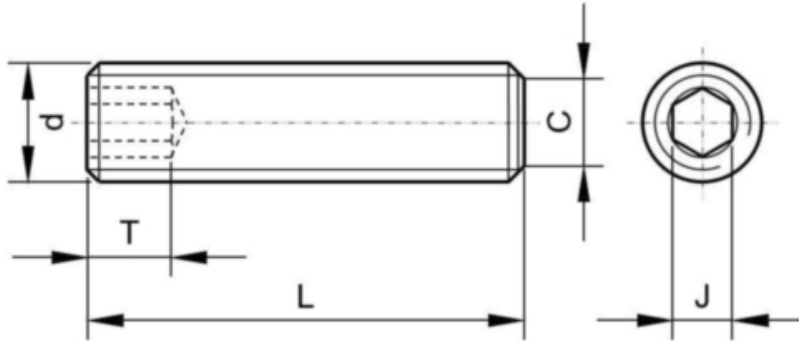


P R O D U C T D A T A S H E E T

USA/CA: brightonBEST.com Europe: brightonBEST.org AU: brightonBEST.com.au NZ: brightonBEST.co.nz Brazil: brightonBEST.com.br

Hexagon Socket Set Screws Flat Point - Inch Series

1.0 Dimensions: ASME B18.3.



Nominal Size or Basic Product Diameter d	J	T	C		B
	Hexagon Socket Size	Key Engagement	Point Diameter		Shortest Optimum Nominal Length *
	Nom	Min	Max	Min	Nom
# 4	0.050	0.070	0.061	0.051	0.19
# 5	1/16	0.080	0.067	0.057	0.19
# 6	1/16	0.080	0.074	0.064	0.19
# 8	5/64	0.090	0.087	0.076	0.19
# 10	3/32	0.100	0.102	0.088	0.19
1/4	1/8	0.125	0.132	0.118	0.25
5/16	5/32	0.156	0.172	0.156	0.31
3/8	3/16	0.188	0.212	0.194	0.38
7/16	7/32	0.219	0.252	0.232	0.44
1/2	1/4	0.250	0.291	0.270	0.50
5/8	5/16	0.312	0.371	0.347	0.63
3/4	3/8	0.375	0.450	0.425	0.75

Notes: *Minimum key engagement " T " is applicable only to nominal screw lengths equal to or longer than the lengths in column B.

Thread Class of Fit: 3A.



BRIGHTON-BEST INTERNATIONAL



P R O D U C T D A T A S H E E T

USA/CA: brightonBEST.com Europe: brightonBEST.org AU: brightonBEST.com.au NZ: brightonBEST.co.nz Brazil: brightonBEST.com.br

Hexagon Socket Set Screws Flat Point - Inch Series

2.0 Mechanical Properties:

Set screws are subjected to compressive stress in applications. Tensile testing is not carried out on set screws.

2.1 Alloy Steel

Standard: ASTM F912

Hardness: HRC 45 to 53.

Hardness, Decarburization & Torsional strength test are the requisite mechanical properties to be met by the alloy steel socket set screws.

2.2 Stainless Steel

Standard: ASTM F880

Condition: CW

Hardness: 96 HRB to 33 HRC.

Hardness and Torsional strength test are the requisite mechanical properties to be met by the stainless steel socket set screws. Set screws (Stainless steel only) of sizes above 1/2 " are not subjected to torsional strength test.

The set screws will not have any markings.

3.0 Surface Finish:

Alloy Steel: Thermal Black Oxide Finish.

Stainless Steel: Passivated.